

## Circuit Protector

## GCP series



### FEATURES

- Dual Voltage(AC/DC)
- Subcompact size(17.5mm width / 1pole)
- Rated interruption capacity: 2.5kA/1.5kA
- Optional aux. Switch
- Wide range of mounting options
- Easy to read on-off status

### APPLICATIONS

- Industrial Machines
- Food, Chemical
- Telecommunications
- Electronics
- Computer Peripherals

### DESCRIPTION

GCP series circuit protector comprises Honeywell's most cost-effective switching device portfolio. It's wide selection of mounting methods and options provide flexibility for your specific applications. GCP circuit protector is ideal for applications requiring compactness, robust breaking, accurate repeatability, reliability and long life.

Honeywell's manufacturing facilities and processes, high quality materials, and proven switching technology and design ensure stable performance and precision operation. Our worldwide network of manufacturing, sales, and distribution resources support you with rapid response and product and service availability.

### WARNINGS



- DO NOT USE this product as safety or emergency devices or in any other applications where failure of the product could result in a personal injury
- This information presented in this product sheet is for reference only. DO NOT USE this document as product installation information.

## Circuit Protector

## GCP series

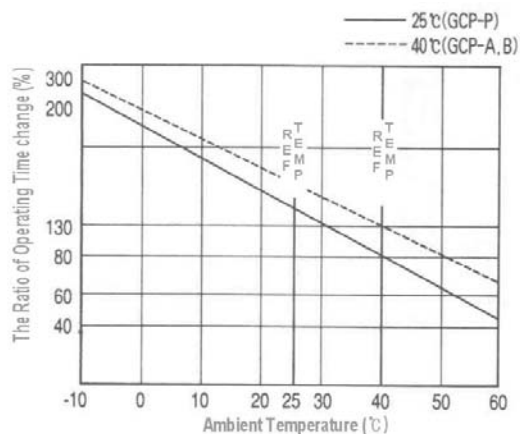
### MODEL SELECTION GUIDE

GCP-3	1	A	S	I	3A	AX
	No of Pole	Mounting / Connection	Terminal Protection	Protection Mode	Ampere Rating	Option
	1 2 3	<b>A</b> Panel & Integral / Screw-in(Din Rail)	None : standard S : Safety	<b>I</b> instantaneous <b>M</b> Medium Term	0.1~30A	AX auxiliary s/w

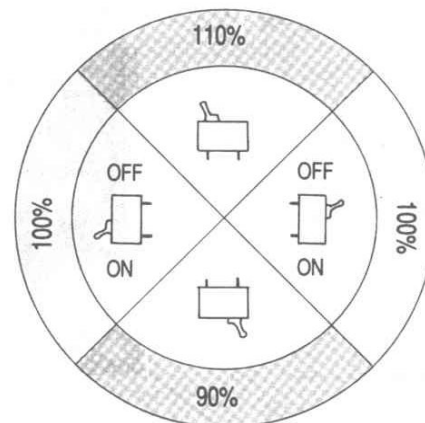
### TECHNICAL INFORMATION

Mechanical Characteristics	Shock Resistance	50G Min.
	Vibration Durability	15G Max.
	Endurance Characteristic	Min. 10,000 times at 10 times opening and closing for 1 minute
Electrical Characteristic	Temperature Rising	Max 50 degrees at terminal part in the case of conducting the rated current consecutively less than standard ambient temperature
	Overload Characteristic	More than 50 times in the conditions of conducting 6 times of rated current at 4 times operating and closing for 1 minute
	Endurance Characteristic	Min. 6,000 times in the condition of conducting rated current at 4 times opening and closing for 1 minutes
	Insulation Resistance	100M $\Omega$ min(500V insulating resistance tester)
* The altitude of site of installation does not exceed 2,000m.		

### Influence by Ambient Temperature



### Influence by Mounting position



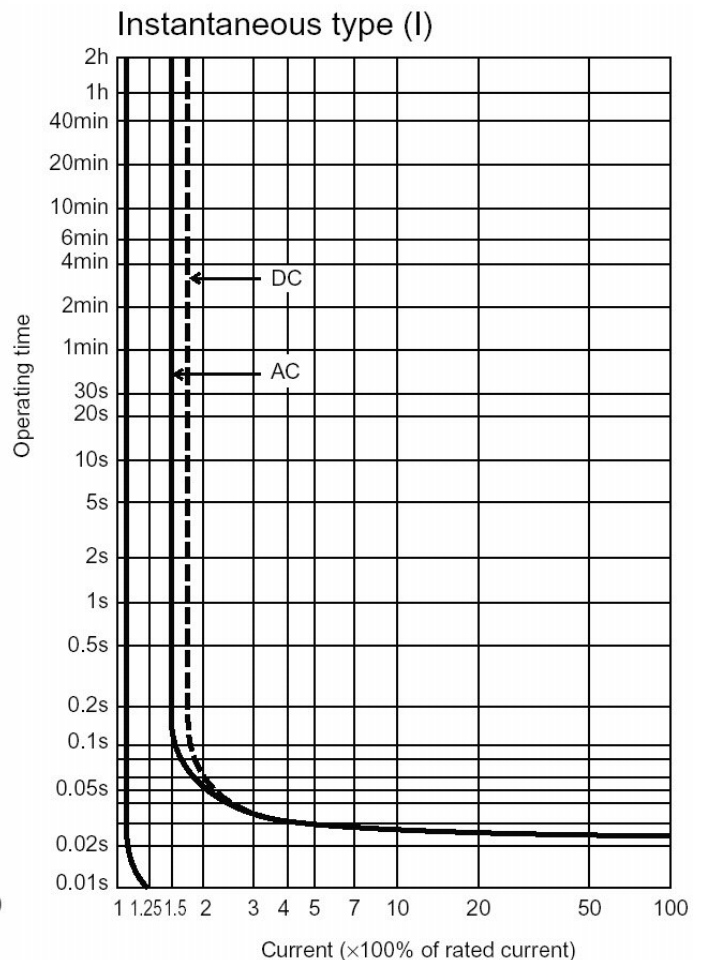
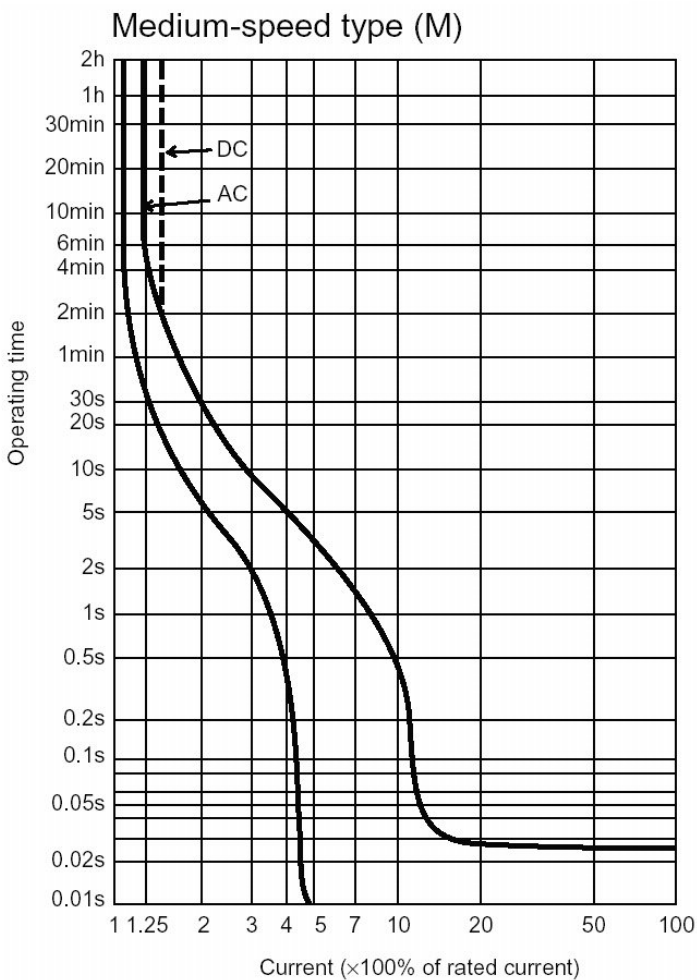
# Circuit Protector

# GCP series

## Specification

Rated Voltage	AC250V(50/60 Hz), DC60V(1pole only), DC120V(2pole only)
Ampere Rating(A)	0.1 ~ 30A
Rated Break Ampere	AC250V:2.5KA, DC60V:2.5KA(1pole), DC120V:2.5KA(2pole)
Protection Mode	Instantaneous (I), Medium Speed (M) type available
Internal Circuit	Series trip (S), Auxiliary switch (Ax)
Ambient Temp. / Humidity	10 to 60 degrees by Celsius / 0 to 85% by Relative Humidity
Reference Ambient Temp	40°C
Dielectric Strength	1 Minute at AC1500V(50/60Hz)
Mounting / Connection	Panel & Integral type / Screw-in (Din rail)
Electrical Life	10,000 operations minimum(6,000 operations with rated ampere at 6 operations/min)

## Curve for Trip

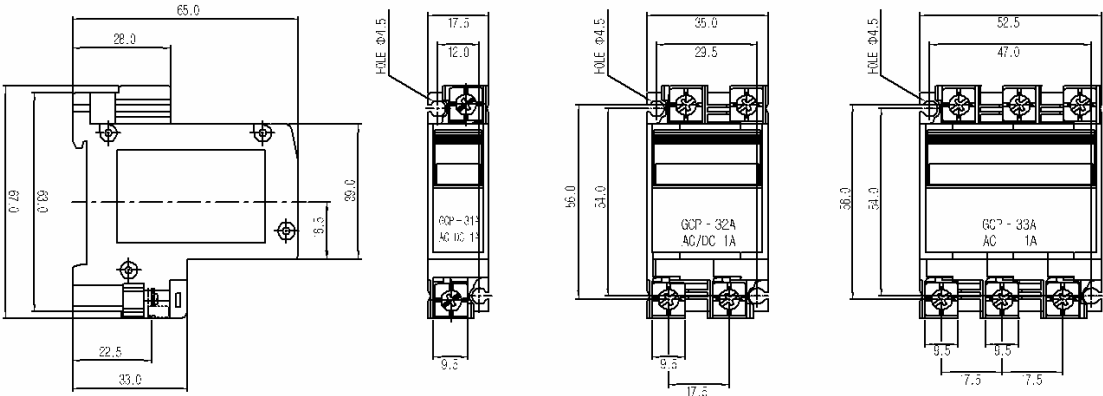


## Circuit Protector

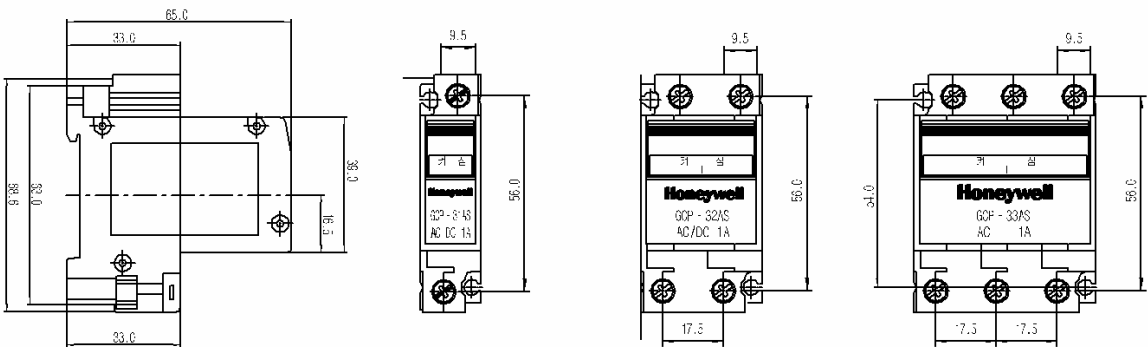
## GCP series

### Dimension for Out line

#### GCP-A series



#### GCP-AS series



### Hole dimension for Fixed

